



SI B 11 01 07
Engine

March 2009
Technical Service

This Service Information bulletin supersedes SI B11 01 07 **dated February 2009**.

NEW designates changes to this revision

SUBJECT

N62 and N62TU Crankcase Ventilation System – Cold Climate Conditions

MODEL

E60 (5 Series) 545i from start of production up to 9/2005

E60 (5 Series) 550i from 9/2005 up to 10/2006

E63, E64 (6 Series) 645Ci and 645CiC from start of production up to 9/2005

E63, E64 (6 Series) 650Ci and 650CiC from 9/2005 up to 10/2006

E65, E66 (7 Series) 745i and 745Li from start of production up to 3/2005

E65, E66 (7 Series) 750i and 750Li from 3/2005 up to 10/2006

E53 (X5) 4.4i and 4.8iS from 10/2003 up to 9/2006

E70 (X5) 4.8i from 9/2006 up to 10/2006

SITUATION

Certain areas of the US experience extremely cold climate conditions during the winter months. A small number of vehicles in the above-listed Series have experienced problems ranging from leaking oil-filler caps, leaking or broken valve covers, to complete engine failure.

CAUSE

Moisture accumulating in the engine crankcase ventilation valve or hoses can freeze due to low ambient temperatures. When this occurs, depending on the position of the internal valve, it may either cause high crankcase pressures (stuck closed) resulting in valve cover leakage and/or breakage, or cause an oil hydro-lock condition (stuck open), which could result in engine damage.

CORRECTION

Replace the cylinder 1-4 head cover and install updated ventilation hose(s). Refer to one of the following procedures, based on model and production. Refer to Repair Instruction RA 11 12 006, Removing and installing/sealing right cylinder head cover (N62/N62TU).

PROCEDURE A:

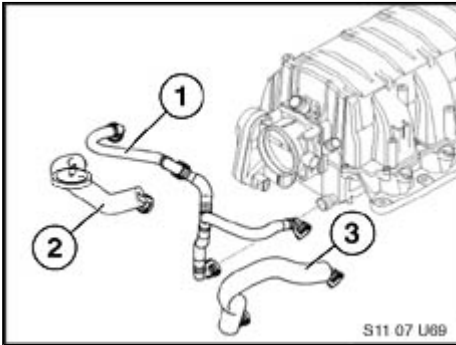
E60 (5 Series) 545i from start of production up to 9/2004

E63, E64 (6 Series) 645Ci and 645CiC from start of production up to 9/2004

E65, E66 (7 Series) 745i and 745Li from start of production up to 9/2004

E53 (X5) 4.4i and 4.8iS from 10/2003 up to 9/2004

1. Replace the cylinder 1-4 head cover with P/N 11 12 7 563 474 with the updated crankcase ventilation valve.



2. Remove the crankcase ventilation plastic corrugated hose (1) connecting the two cylinder head covers and intake system. Install the modified insulated hose with the external pressure regulating valve (2), using P/N 11 61 7 563 476. Install the insulated hose (3), using P/N 11 61 7 547 186.

PROCEDURE B

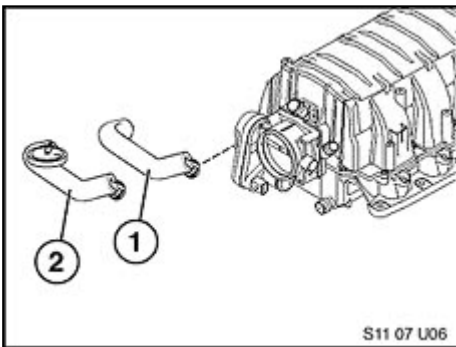
E60 (5 Series) 545i from 9/2004 up to 9/2005

E63, E64 (6 Series) 645Ci and 645CiC from 9/2004 up to 9/2005

E65, E66 (7 Series) 745i and 745Li from 9/2004 up to 3/2005

E53 (X5) 4.4i and 4.8iS from 10/2003 up to 9/2006

2. 1. Replace the cylinder 1-4 head cover with P/N 11 12 7 563 474 with the updated crankcase ventilation valve.



2. 2. Remove and discard the ventilation hose (1). Install the modified insulated hose with the external pressure regulating valve (2), using P/N 11 61 7 563 476 in the same location.

PROCEDURE C

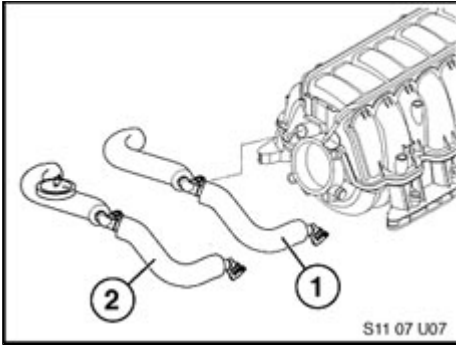
E60 (5 Series) 550i from 9/2005 up to 10/2006

E63, E64 (6 Series) 650Ci and 650CiC from 9/2005 up to 10/2006

E65, E66 (7 Series) 750i and 750Li from 3/2005 up to 10/2006

E70 (X5) 4.8i from 9/2006 up to 10/2006

1. Replace the cylinder 1-4 head cover with P/N 11 12 7 563 474 with the updated crankcase ventilation valve.



- Remove the ventilation hose (1). Install the modified insulated hose with the external pressure regulating valve (2), using P/N 11 61 7 563 477 in the same location.

PARTS INFORMATION

E60 (5 Series) 545i from start of production up to 9/2004

E63, E64 (6 Series) 645Ci and 645CiC from start of production up to 9/2004

E65, E66 (7 Series) 745i and 745Li from start of production up to 9/2004

E53 (X5) 4.4i and 4.8iS from 10/2003 up to 9/2004

Part Number	Description	Quantity
11 12 7 563 474	Cylinder 1-4 head cover	1
11 61 7 563 476	Insulated hose with valve	1
11 61 7 547 186	Insulated hose	1

E60 (5 Series) 545i from 9/2004 up to 9/2005

E63, E64 (6 Series) 645Ci and 645CiC from 9/2004 up to 9/2005

E65, E66 (7 Series) 745i and 745Li from 9/2004 up to 3/2005

E53 (X5) 4.4i and 4.8iS from 10/2003 up to 9/2006

Part Number	Description	Quantity
11 12 7 563 474	Cylinder 1-4 head cover	1
11 61 7 563 476	Insulated hose with valve	1

E60 (5 Series) 550i from 9/2005 up to 10/2006

E63, E64 (6 Series) 650Ci and 650CiC from 9/2005 up to 10/2006

E65, E66 (7 Series) 750i and 750Li from 3/2005 up to 10/2006

E70 (X5) 4.8i from 9/2006 up to 10/2006

Part Number	Description	Quantity
-------------	-------------	----------

11 12 7 563 474	Cylinder 1-4 head cover	1
11 61 7 563 477	Insulated hose with valve	1

WARRANTY INFORMATION


Covered under the terms of the BMW New Vehicle Limited Warranty or the BMW Certified Pre-Owned Program.

Defect Code: 11 15 03 14
00

Labor **Labor**

Operation: **Allowance:**

Description:

00 56 113	33 FRU	E53 (N62), E53 (N62), E65 (N62), E66 (N62)	Replace cylinder head cover and one or both hoses
	36 FRU	E65 (N62TU), E66 (N62TU)	
	36 FRU	E60 (N62 and N62TU), E63 (N62and N62TU), E64 (N62 and N2TU)	
	32 FRU	E70 (N62TU)	
+00  56 747	31 FRU	E53 (N62), E53 (N62S), E65 (N62), E66 (N62)	Replace cylinder head cover and one or both hoses
	35 FRU	E65 (N62TU), E66 (N62TU)	
	34 FRU	E60 (N62 and N62TU), E63 (N62and N62TU), E64 (N62 and N2TU)	
	30 FRU	E70 (N62TU)	

*Main Work - use this labor operation number when this is the only repair being performed, or if this is the main repair when performed along with other repairs at the same time. If this is not the main repair, refer to KSD for the associated (+) labor operation code.